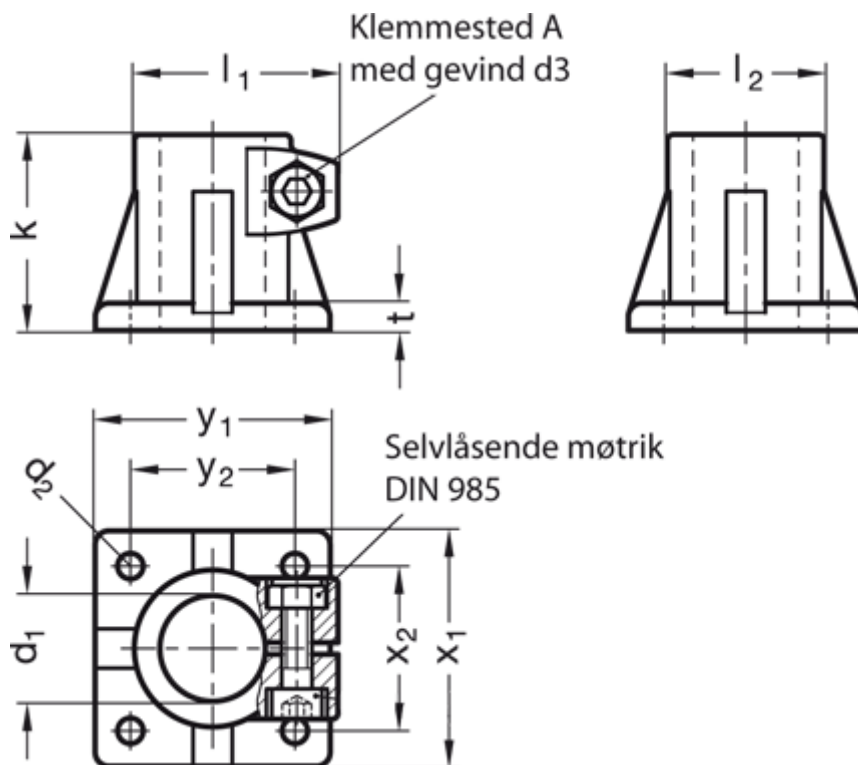


Article number: 20163B601002BL

Description: E+G
Base plate clamp GN163-B60-100-2-BL

Measures



Adjustable clamp lever = GN 911-M10-50 have to be ordered separately

d1	= B60
d2	= 11.0
d3	= M10
k	= 100
l1	= 92.0
l2	= 80
t	= 14

x1 = 125
x2 = 89
y1 = 125
y2 = 89